

CONTACT DETAILS

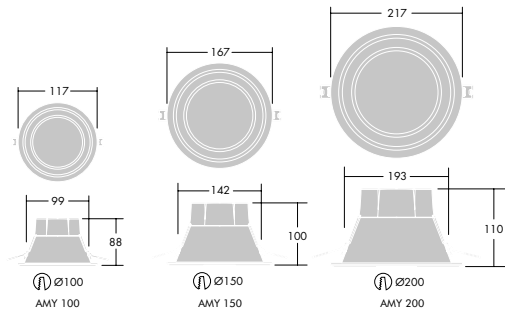
UK: 0844 855 4810 | IRE: +353 (0) 1 4922877
 uk.quotations@thornlighting.com
 www.thornlighting.co.uk | www.thornlighting.ie

Ordering Guide

Description	Wt (kg)	SAP Code	Cat. No.
AMY 100 LED DL 800 830	0.18	96665583	AY800Z3K
AMY 100 LED DL 800 840	0.18	96665584	AY800Z4K
AMY 150 LED DL 1000 830	0.26	96628352	AY1000Z3K
AMY 150 LED DL 1000 840	0.26	96628353	AY1000Z4K
AMY 150 LED DL 1500 830	0.26	96665585	AY1500Z3K
AMY 150 LED DL 1500 840	0.26	96665586	AY1500Z4K
AMY 200 LED DL 2000 830	0.36	96665587	AY2000Z3K
AMY 200 LED DL 2000 840	0.36	96665588	AY2000Z4K
Emergency versions			
AMY 150 LED DL 1000 830 E3	0.66	96665848	AY1000ZE3K
AMY 150 LED DL 1000 840 E3	0.66	96665849	AY1000ZE4K
AMY 150 LED DL 1500 830 E3	0.66	96665844	AY1500ZE3K
AMY 150 LED DL 1500 840 E3	0.66	96665845	AY1500ZE4K
AMY 200 LED DL 2000 830 E3	0.76	96665846	AY2000ZE3K
AMY 200 LED DL 2000 840 E3	0.76	96665847	AY2000ZE4K

830 - 3000K, 840 - 4000K

Product Dimensions



Thorn Eco – Economical LED Lighting

We offer an economical range of state-of-the-art LED luminaires that are ideal for the like-for-like replacement of all traditional lighting sources within Office, Education, Industrial and Outdoor Applications.

Our products are designed to fulfill the needs of the modern customer by providing an increased quality of lighting, substantial energy savings and a longer life span. Our range is simple to install, requires reduced maintenance and need fewer replacement parts.

We are supported by the technical competence and experience of the Zumtobel Group, making us the number one choice for economical LED lighting solutions.



5 Year Warranty

As a globally leading luminaire manufacturer, Thorn Lighting provides a five-year warranty for its complete product range within all European Countries.

Amy LED ^{NEW}

Recessed LED downlight



Recessed LED downlight, a one for one replacement for traditional 1x18W, 1x26W, 2x18W or 2x26W compact fluorescent downlights

- Consistent light output with no shadowing
- High efficacy, up to 80% energy savings compared to compact fluorescent
- Up to 95Llm/W – exceeding building regulation requirements
- 100-105mm, 150mm and 200mm cut-outs, similar to traditional products
- Choice of 3000K warm white or 4000K cool white to suit application use
- 50 000 hours rated life, equivalent to 13 years at 14 hours per day operation
- 3hr emergency version available

Application

- Corridors
- Reception areas
- Offices and meeting rooms
- Schools and universities

Standards



Material/Finish

Body: aluminium, white finish
Diffuser: polycarbonate

Installation/Mounting

Amy LED can be installed, directly out of the box into a wide range of ceiling types of 2-20mm thickness (AMY 150 and 200 LED DL) or 2-15mm thickness (AMY 100 LED DL).



Performance Guide - 1000 lumens

Corridor

Ceiling Height	Luminaire Spacings	Lux Level Average	Uniformity	UGR
Metres	Metres	E_m	U_o	UGR
2.4	3.6 (5 tiles)	76 lux	0.69	<25
	3.0 (4 tiles)	90 lux	0.59	<25
	2.4 (3 tiles)	113 lux	0.73	<25
2.7	3.6 (5 tiles)	70 lux	0.71	<25
	3.0 (4 tiles)	82 lux	0.63	<25
	2.4 (3 tiles)	104 lux	0.73	<25
3.0	3.6 (5 tiles)	64 lux	0.70	<25
	3.0 (4 tiles)	75 lux	0.63	<25
	2.4 (3 tiles)	96 lux	0.72	<25

Based on a 21 x 2 metre corridor with 70/50/20 reflectances, a 0.80 maintenance factor and the floor as the working plane

Performance Guide - 2000 lumens

Corridor

Ceiling Height	Luminaire Spacings	Lux Level Average	Uniformity	UGR
Metres	Metres	E_m	U_o	UGR
2.4	3.6 (5 tiles)	140 lux	0.69	<25
	3.0 (4 tiles)	164 lux	0.60	<25
	2.4 (3 tiles)	208 lux	0.73	<25
2.7	3.6 (5 tiles)	129 lux	0.70	<25
	3.0 (4 tiles)	151 lux	0.63	<25
	2.4 (3 tiles)	191 lux	0.73	<25
3.0	3.6 (5 tiles)	118 lux	0.70	<25
	3.0 (4 tiles)	138 lux	0.63	<25
	2.4 (3 tiles)	176 lux	0.72	<25

Based on a 21 x 2 metre corridor with 70/50/20 reflectances, a 0.80 maintenance factor and the floor as the working plane